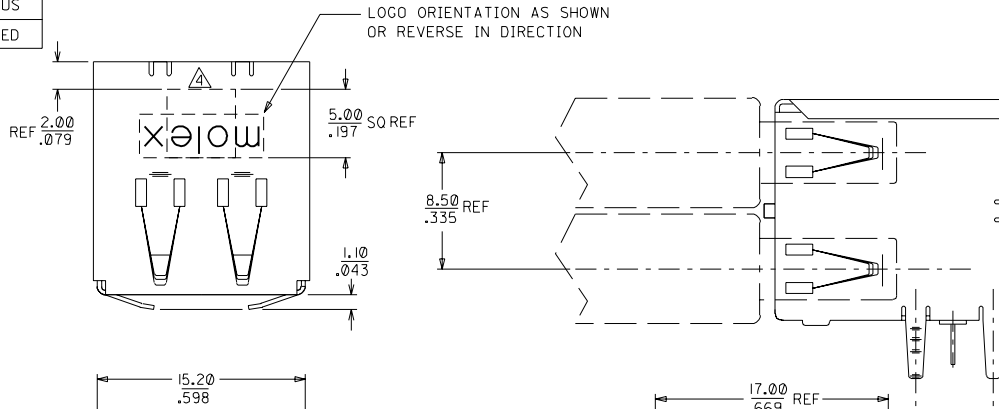
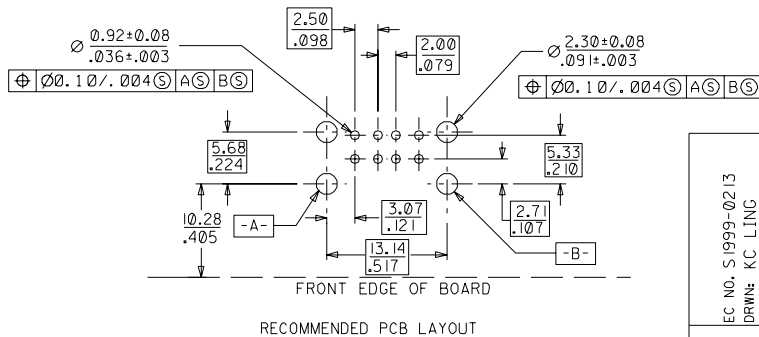
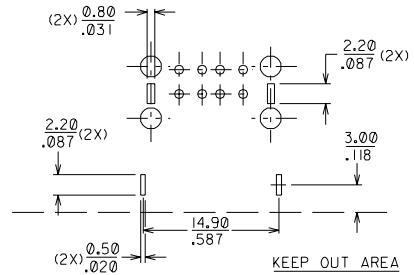
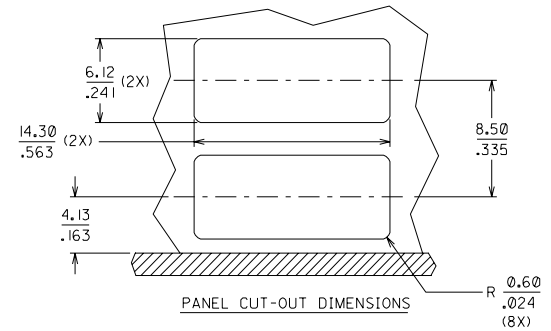
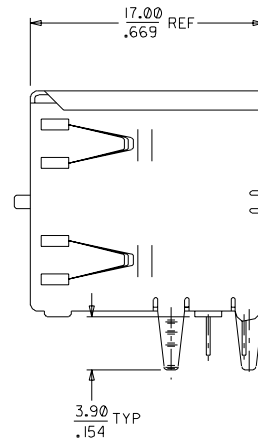
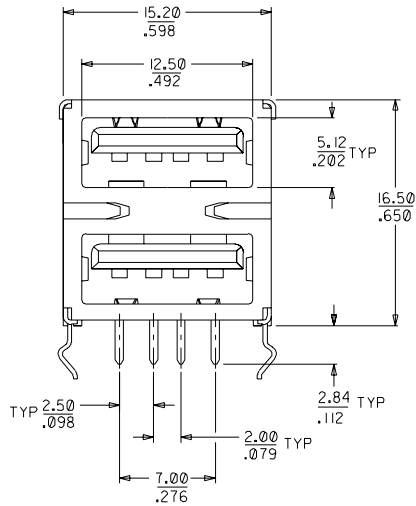


PART NUMBER	STATUS
87525-0028	TOOLED



- NOTES
1. MATERIAL
CONTACTS - PHOSPHOR BRONZE
SHELL - COPPER ALLOY OR EQUIVALENT
HOUSING - NYLON, UL94V-0, GLASS FILLED, BEIGE
 2. PLATING
CONTACTS -
0.76um MIN GOLD ON MATING AREA, 2.50um MIN TIN-LEAD ON SOLDER-TAILS, BOTH OVER 1.27um MIN NICKEL
SHELL -
2.50 um MIN TIN-LEAD OVER 1.25 um MIN NICKEL
 3. FOR PCB THICKNESS OF 1.60mm.
- △** APPROXIMATE AREA FOR PICK & PLACE NOZZLE
5. PARTS TO BE PACKED IN CARTONS.



EC NO. S1999-0213 DRWN: KC LING CHK: CH'K: AI APPR:	QUALITY SYMBOLS MAJOR ▼ = 0 CRITICAL ▽ = 0	GENERAL TOLERANCES: (UNLESS SPECIFIED)	SCALE 3 : 1	DESIGN UNITS mm INCH	THIRD ANGLE PROJECTION	DIMENSIONS: <input checked="" type="checkbox"/> mm <input type="checkbox"/> INCH <input type="checkbox"/> mm ONLY	SHT	REV
		mm INCH	3 : 1	mm INCH	PROJECTION	mm ONLY	REVISE ON CAD ONLY	
		4 PLACES ±0. - ±.		DRAWN BY & DATE KC LING 981027	TITLE: UNIVERSAL SERIAL BUS, RIGHT-ANGLE, THROUGH-HOLE, STACKED RECEPTACLE			
		3 PLACES ±0. - ±.		CHECKED BY & DATE PT LIM 981030	MOLEX INCORPORATED			
		2 PLACES ±0.20 ±.		APPROVED BY & DATE SK TOH 981030				
		1 PLACE ±0. - ±.	ANGULAR: ± 3 °	CAD FILENAME S87525AE.S01	MATERIAL NO. 87525-0028	DRAWING NO. SD-87525-012	SHEET NO. 1 OF 1	
THIS DRAWING CONTAINS INFORMATION THAT IS PROPRIETARY TO MOLEX INCORPORATED AND SHOULD NOT BE USED WITHOUT WRITTEN PERMISSION.					SIZE A 3			